



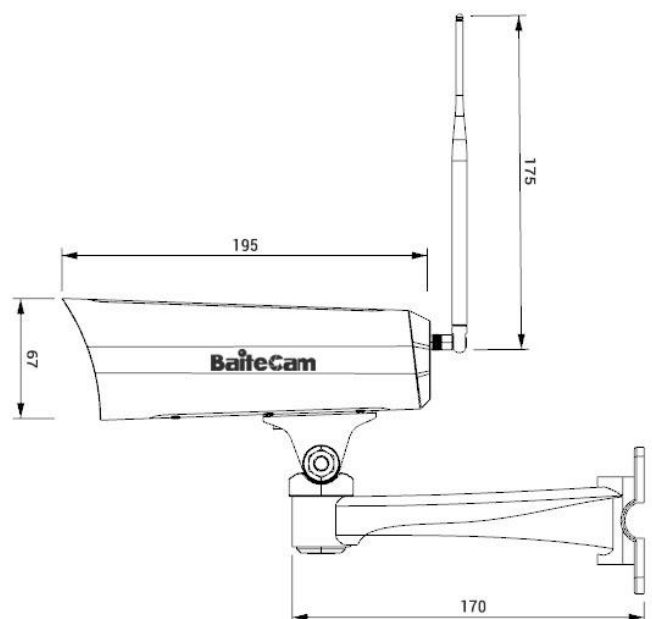
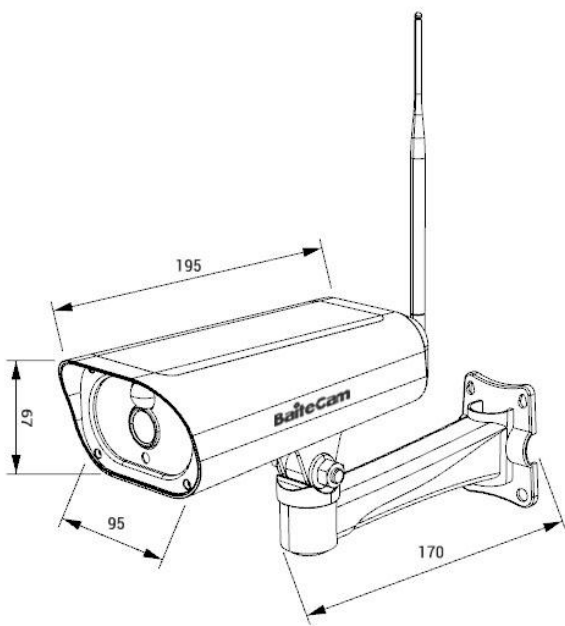
BC301 SOLAR IP CAMERA



- Totally wireless, powered by solar and built-in battery
- HD 2.0 MP (1920 x 1080)
- 4mm fixed lens, (2.8 / 6 / 8 / 12 mm optional)
- Wireless connection: WIFI or 4G SIM card
- IR distance up to 10 meters
- Super long working time, camera snoozes when no motion detected
- Support max 64GB TF card storage, can record for months
- APP(iOS, Android) view, easily remote view & control.
- IP66

Features

- ✓ Perfect security solution for remote areas or places without stable on-grid power.
- ✓ Powered by solar panel and rechargeable battery, no external power supply required.
- ✓ Network connection via WIFI or 4G sim card, totally wireless.
- ✓ High definition, progressive CMOS sensor, 2.0MP (1920x1080).
- ✓ Fixed lens, suitable to monitor assets that don't move.
- ✓ Support P2P, view at anywhere, anytime. Support iOS, Android.
- ✓ 8pcs IR LEDs, night vision distance up to 10 meters.
- ✓ Motion detection alarm and video record into TF card.
- ✓ Built-in TF card slot, support max 64GB TF card. Loop record for 1-2 months in general.
- ✓ Built-in microphone and speaker, two-way audio communication.
- ✓ Super long working time within one full battery charge, camera only works on motion detection and App live view.
- ✓ Plug and play, easy to install and change TF card, SIM card and battery .
- ✓ IP66 waterproof, Aluminum housing.



Parameters

	Model No.	BC301-W	BC301-S
Camera	Image Sensor	1/2.7" progressive scan CMOS sensor	
	Effective Pixels	2MP (1920x1080)	
	Lens	4mm fixed lens (2.8/6/8/12 mm optional)	
	Zoom	6x digital zoom, no optical zoom	
	View Angle	70°	
	Min. Illumination	0.1 Lux / 0 Lux(IR on)	
	Video Compression	H.264	
	Video Stream	1080P(1920x1080)@15fps 720P(1280x720)@15fps	
	Image Enhancement	Backlight Compensation, Automatic White Balance, Digital WDR, 3D Noise Reduction	
	IR-cut	Auto	
	IR Distance	Up to 10 m (33 ft)	
	Two-way Audio	Support. Built-in Microphone and Speaker	
Human Detection & Alerts	Detection Distance	Up to 10 m (33 ft)	
	Detection Angle	120°	
	Response Time	0.6 second (awake from Snooze Mode)	
	Alarm Actions	APP Notification: Push alarm message to phone/tablet Awake the camera to record videos in Micro SD card	
	Simultaneous Viewers	Support max 5 users	
Connection	4G – Nano SIM card	-	Fit for most countries
	WIFI	2.4GHz, IEEE 802.11b/g/n	-
	Access Point	Built-in	
Power	Power Consumption	Snooze Mode: 0.0076W Awake Mode: 1.4W (daytime), 2.4W (night)	
	Battery (Excluded)	At least 2pcs type-18650 lithium battery is required	
	Solar Panel	1.5W, non-detachable	
	DC Power (optional)	Can be powered by 5V/2A power adaptor	
Storage	Local Storage	Support max 64GB micro SD card	
	Recording Days	32GB can store for 45 days (about 9000 videos, as 200 videos per day, each video lasts 15 seconds.)	
	APP Record	Support. Easily record by APP in your phone manually	
	Others	ONVIF and PC recording are not supported	
General	Operating Temp.	-10°C to 60°C	
	Operating Humidity	≤ 90%	
	Main Material	Aluminum housing, waterproof IP66 for outdoor use	
	Size	195 x 95 x 70 mm (7.7 x 3.7 x 2.8 in)	
	Weight (Battery excluded)	800 g (1.7 lb)	
	Packing Size	22.5 x 16 x 10 cm (8.9 x 6.3 x 3.9 in)	
	Packing Weight	1 kg (2.2 lb)	
Warranty	Limited Warranty	2 years	

Easy Connection



Step 1

Insert MicroSD card (and SIM card for 4G version).

Step 2

Download APP (iOS, Android) to your phone/tablet.

Step 3

Add your camera in the APP.

Range of Applications

